

**Model**

Type	Layout	Model
Cleanroom Type	Slider Type	RCP2CR-GRSS-I-20P-30-8-P1-□
	Lever Type	RCP2CR-GRLS-I-20P-30-180-P1-□
Dustproof Type	Slider Type	RCP2W-GRSS-I-20P-30-8-P1-□
	Lever Type	RCP2W-GRLS-I-20P-30-180-P1-□

**Specification**

Item	Cleanroom Type		Dustproof Type	
	Slider Type	Lever Type	Slider Type	Lever Type
Type	Slider Type	Lever Type	Slider Type	Lever Type
Model	RCP2CR-GRSS	RCP2CR-GRLS	RCP2W-GRSS	RCP2W-GRLS
Open/Close Stroke	8 (4 per side) mm	180 (90 per side) degrees	8 (4 per side) mm	180 (90 per side) degrees
Maximum gripping force	14.0N	6.4N	14.0N	6.4N
Maximum Open/Close Speed	78 (per side) mm/s	600 (per side) deg/sec	78 (per side) mm/s	600 (per side) deg/sec
Positioning Repeatability	±0.01mm	±0.01 degrees	±0.01mm	±0.01 degrees
Static Allowable Moment (N·m)	Ma: 0.5 Mb: 0.5 Mc: 1.5	--	Ma: 0.5 Mb: 0.5 Mc: 1.5	--
Cleanliness	Class 10 (0.1µm)		---	
Suction Tube Coupling	One-touch tube coupling, Suitable tube outer diameter φ4		---	
Suction Volume	10NI/min		---	
Actuator Unit Weight	0.2kg			
Compatible Controllers	PCON / PSEL / RPCON (ROBONET)			

**External Dimensions**

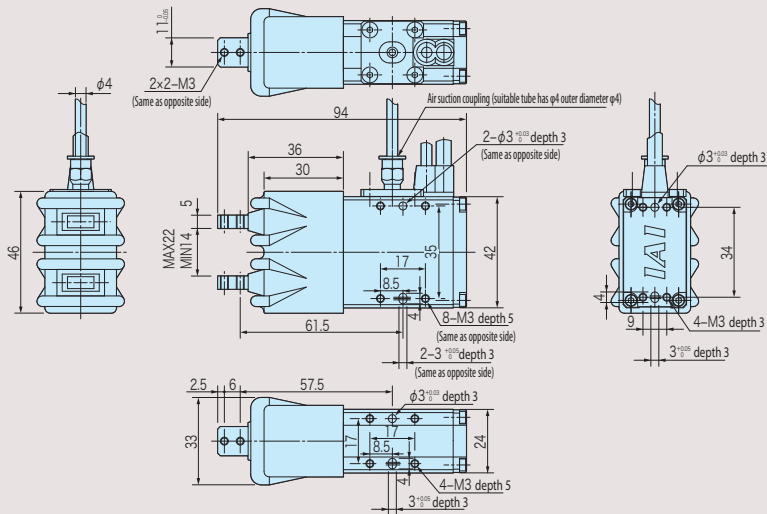
**[Cleanroom Slider Type]**

(Model RCP2CR-GRSS-I-20P-30-8-P1)

**[Dustproof Slider Type]**

(Model RCP2W-GRSS-I-20P-30-8-P1)

\* Dustproof type is not equipped with an air suction coupling.



**[Cleanroom Lever Type]**

(Model RCP2CR-GRLS-I-20P-30-180-P1)

**[Dustproof Lever Type]**

(Model RCP2W-GRLS-I-20P-30-180-P1)

\* Dustproof type is not equipped with an air suction coupling.

