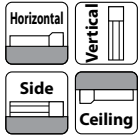


RCP6-GRT7A

2-Finger Gripper
Thin Slide Type
Body Width 66 mm
24v Stepper Motor

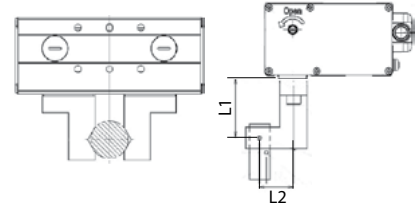
Model Specification Items	RCP6-GRT7A-WA-28P-1-30	Applicable Controllers	Cable Length	Options
Series	Type	Encoder Type	Motor Type	Deceleration Ratio Pattern
WA: Battery-less Absolute	28P: Stepper Motor 28□ Size	1: Feed Screw Lead 1.5mm Pulley Deceleration Ratio 1.5	30: 30mm	P3: PCON MCON MSEL P5: RCM-P6PC
		N: None P: 1m S: 3m M: 5m X□□: Specified Length	Please refer to the option price list below. * Be sure to fill in one of the following options for the cable exit direction.	

* Does not include a controller.
* Please refer to P.2 for more information about the model specification items.

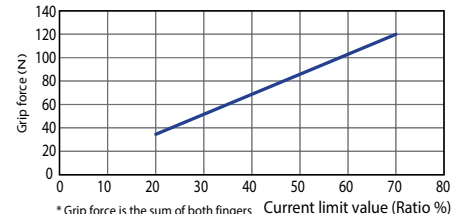


Gripping Force vs. Electric Current Limit

The gripping (pushing) force can be adjusted freely within the range of electric current limits of 20% to 70%.



* For L1 and L2, please refer to the gripper selection method on P.9.
* The gripping force in the graph below assumes that L1 and L2 the figure above are zero. (Refer to p.10 for the rough guide gripping force at each distance of L1.) Also note that the gripping force is the sum of the gripping forces of both fingers.



* Grip force is the sum of both fingers

* The gripping force graph above shows numbers for reference. Please allow margins up to ±15%.

* Please note that, when gripping (pushing), the speed is fixed at 5 mm/s.



- The maximum opening/closing speed indicates the operating speed on one side. The relative operating speed is twice this value.
- The maximum gripping force is the sum of the gripping forces of both fingers, at a gripping point where there is no offset or overhang distance. The workpiece weight that can be actually moved depends on the friction coefficient between the gripper fingers and the workpiece, as well as on the shape of the workpiece. As a rough guide, a workpiece's weight should not exceed 1/10 to 1/20 of the gripping force. (See page 9 for details.)
- The rated acceleration while moving is 0.3 G.

Actuator Specifications

Model specification items	Deceleration ratio pattern	Max grip force (N)	Stroke (mm)
RCP6-GRT7A-WA-28P-1-30-①-②-③	1	120 (one side 60)	30 (one side 15)

Legend: ① Applicable Controllers ② Cable Length ③ Options

Stroke and Max Opening/Closing Speed

Stroke	30 (mm)
Deceleration ratio	75
1	

(Unit: mm/s)

Stroke

Stroke (mm)	RCP6-GRT7A
30	○

② Cable Length

Type	Cable code
Standard type	P(1m)
	S(3m)
	M(5m)
Specified length	X06 (6m) ~ X10 (10m)
	X11 (11m) ~ X15 (15m)
	X16 (16m) ~ X20 (20m)*
Robot cable	R01 (1m) ~ R03 (3m)
	R04 (4m) ~ R05 (5m)
	R06 (6m) ~ R10 (10m)
	R11 (11m) ~ R15 (15m)
	R16 (16m) ~ R20 (20m)*

Cable between actuator and controller.

* When changing the Actuator's pigtail cable length as an option, make sure the total cable length between the actuator and the controller is within 20m.

③ Options

Name	Option code	Reference page
Actuator's pigtail cable 1m specification	AC1	P. 8
Actuator's pigtail cable 2m specification	AC2	P. 8
Actuator's pigtail cable 3m specification	AC3	P. 8
Rear cable exit from top	CJTB	P. 8
Rear cable exit from left side	CJLB	P. 8
Rear cable exit from right side	CJRB	P. 8
Rear cable exit from bottom	CJBB	P. 8
Side cable exit from top	CJTS	P. 8
Side cable exit from left side	CJLS	P. 8
Side cable exit from right side	CJRS	P. 8
Side cable exit from bottom	CJBS	P. 8
Non-motor end specification	NM	P. 8

* Be sure to select a symbol for the cable exit direction.

Actuator Specifications

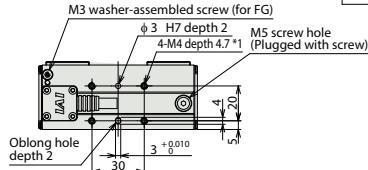
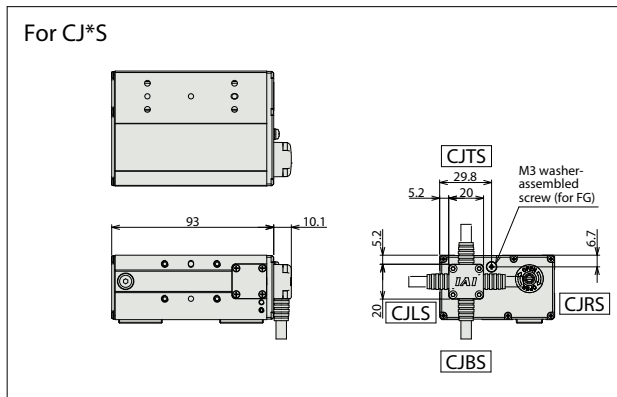
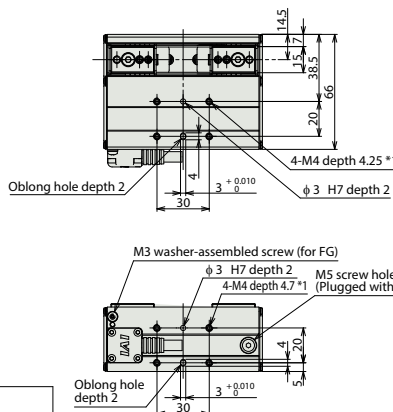
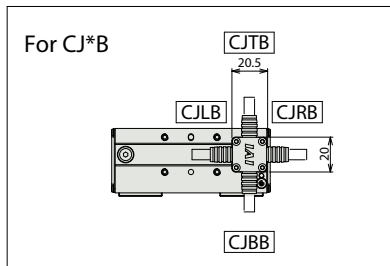
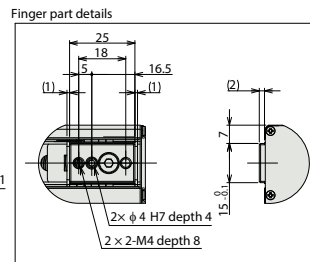
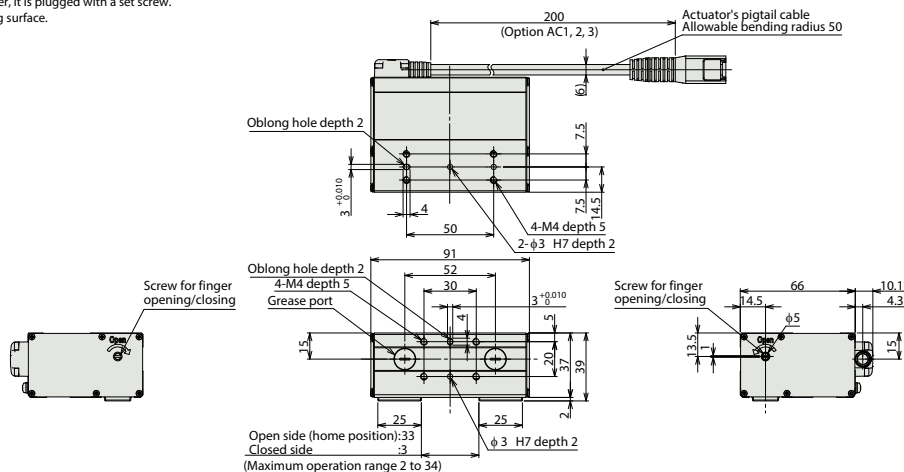
Item	Description
Drive system	Timing belt + left/right trapezoidal screw φ8
Positioning repeatability	±0.01mm
Backlash	One side 0.2mm or less
Lost motion	One side 0.2mm or less
Allowable static moment	Ma: 3.6N·m Mb: 3.6N·m Mc: 10.2N·m
Mass	0.46kg
Ambient operating temperature/humidity	0~40°C, 85% RH or less (non-condensing)

Dimensions

CAD drawings can be downloaded from our website.
www.intelligentactuator.com



- * The open side of the finger is at home position.
- *1 To prevent intrusion of foreign matter, it is plugged with a set screw. Remove when using it as a mounting surface.



① Applicable Controllers

The RCP6 series actuators can be operated by the controllers indicated below. Please select the type depending on your intended use.

Name	External view	Max. number of connectable axes	Power supply voltage	Control method				Maximum number of positioning points	Reference page
				Positioner	Pulse-train	Program	Network * selection		
PCON-CYB/PLB/POB		1	24VDC	● Selection	● Selection	—	Network cannot be selected	64	Contact IAI
PCON-CB/CGB		1		● Selection	● Selection	—		512 (768 for network spec.)	
MCON-C/CG		8		This model is network-compatible only.				●	
MCON-LC/LCG		6	—	—	●		256		
MSEL-PC/PG		4	Single phase 100~230VAC	—	—	●	Note: The type of compatible networks will vary depending on the controller. Please refer to reference page for more information.	30000	
RCM-P6PC		1		Can be used within the RCP6S Gateway system.				768	Refer to the RCP6 catalog (CJ0238-3A)